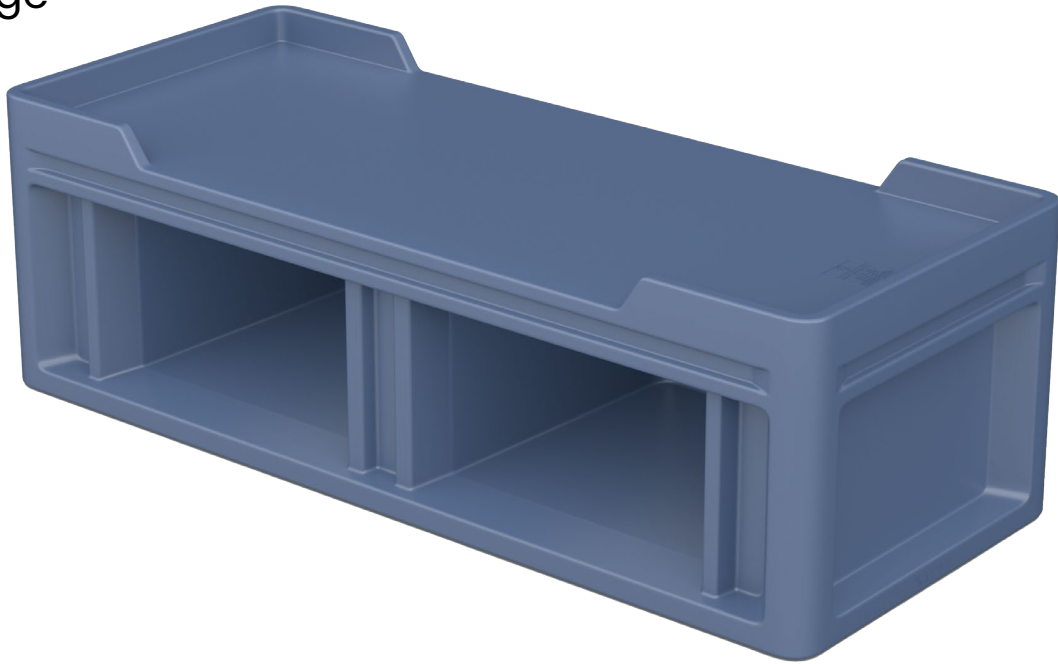



Molded One Piece Platform Bed
with Storage



FEATURES:

- Lifetime warranty.
- 24H x 78L x 32.5D.
- One piece, rotationally molded design for maximum durability. Made from high impact “no break” polyethylene.
- Designed for 30" x 75" mattress; A 4.5" thick mattress is recommended.
- Molded-in side slots designed for property box storage. (bed may be reverse mounted to eliminate this feature)
- **Side storage capacity:** 4.0 cu. ft. (2 compartments)
- Sound dampening, easy to clean, sanitize, and maintain.
- Can be bolted to the floor via concealed pilot holes with hardware of your choice.
- Optional underside ballast doors to add weight with sandbags and secured with tamper-resistant screws. **(Do not use loose sand)**
- Passes Flammability UL 94 HB.
- Flame Retardant: passes Cal 133. (Test reports available upon request)
- ISO 22196 tested showing a >99% reduction in bacteria.
- **Customization:** Custom colors available upon request. Contact Cortech for details.
- Manufactured in the USA to ISO Quality Standards. 

ITEM	COLOR
7615AQ	Aqua
7615BK	Black
7615BG	Blue Gray
7615BN	Brown
7615BY	Burgundy
7615GY	Gray
7615GN	Green
7615IG	Indigo
7615MB	Midnight Blue
7615SD	Sand
7615SB	Slate Blue
7615SG	Stone Gray



Available in



OVERVIEW

The Endurance™ Bed 1.5 is a versatile, heavy duty, medium sized sleep surface ideal for continuous, intensive use environments. Molded in side slots for property box storage and increased structural span strength. **Manufactured to ISO Quality Standards in the USA.**

Designed for use with 30" x 75" mattress.

FABRICATION/MATERIAL

Durable, one piece, rotationally molded design for increased strength. Constructed of high impact polyethylene. No steel or wood components. Flame Retardant (as shown passes Cal 133). Test reports available upon request.

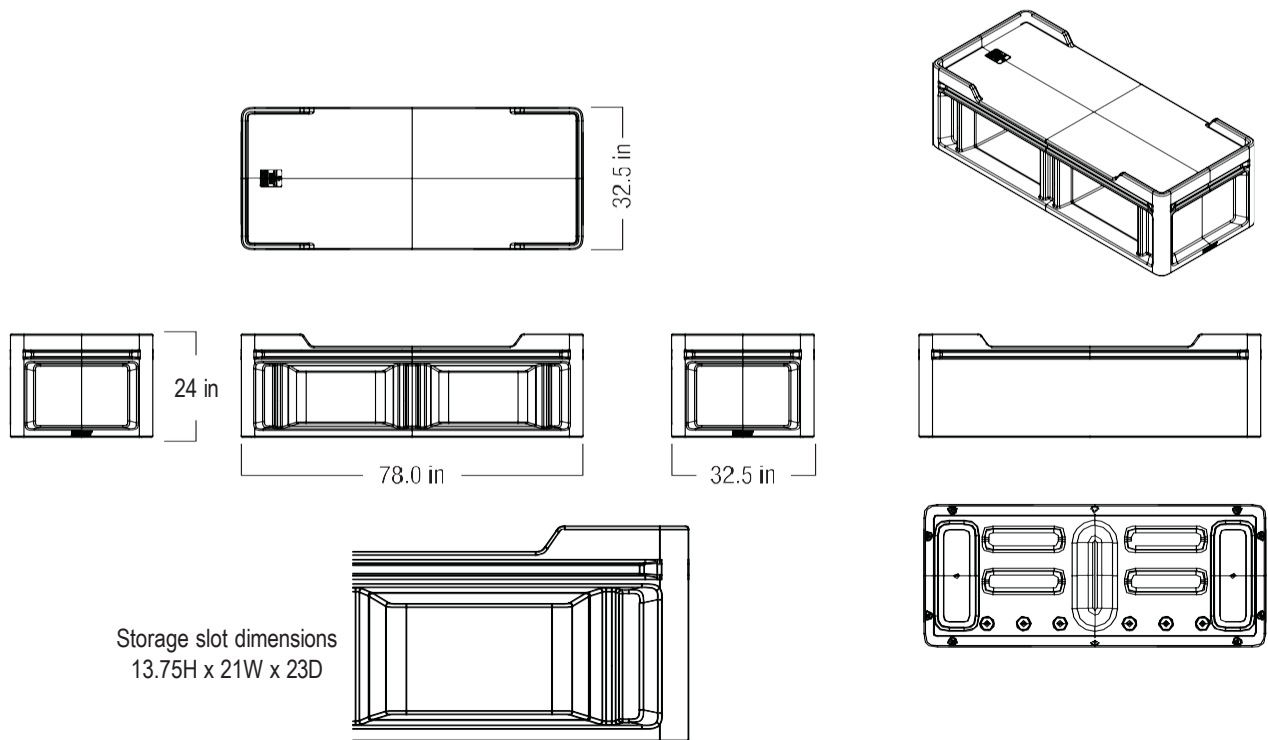
COLOR Aqua, Black, Blue Gray, Brown, Burgundy, Gray, Green, Indigo, Midnight Blue, Sand, Slate Blue and Stone Gray. Custom colors available upon request.

WEIGHT 110 lbs.

ASSEMBLY Bolt to the floor via concealed pilot holes with hardware of your choice.

WARRANTY Lifetime Warranty.

MAINTENANCE Easy to clean, sanitize & maintain.



Warranty valid on manufacturing defects only. Specifications subject to change without notice. Final dimensions & mounting holes subject to +/- 1.25% variance. Cortech discourages pre-drilling pilot holes until product is on site and ready for installation.

2025 Cortech USA. All Rights Reserved.