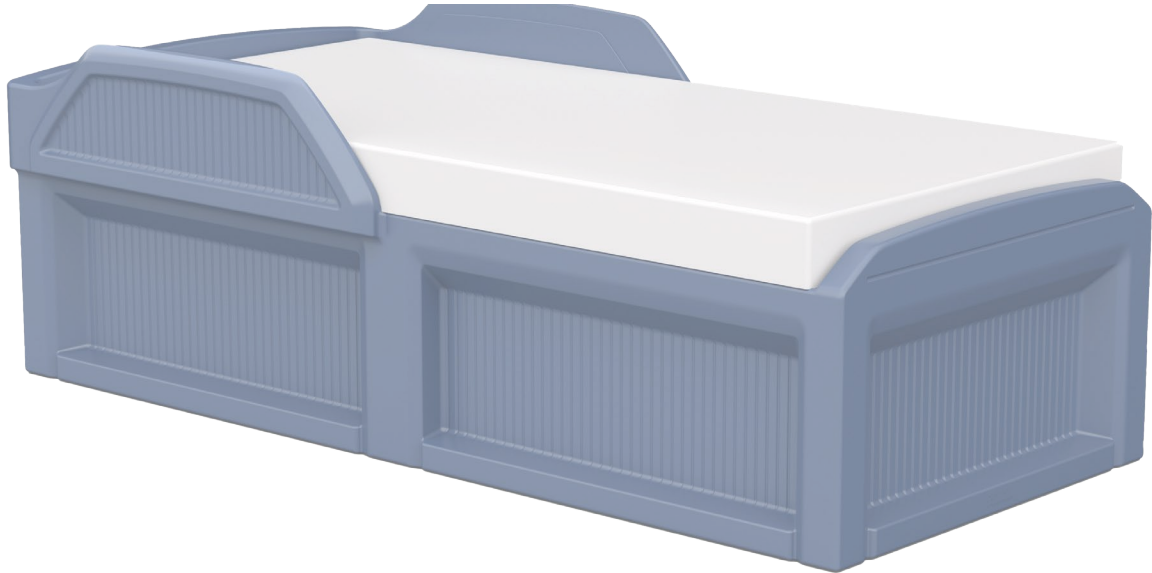



## Molded One Piece Platform Bed

The Solstice™ Safeguard Bed emulates the therapeutic appearance of our Solstice Bed with added features to support the safety of Fall Risk Patients. Raised, molded-in wall panels run laterally along each side of the bed to help prevent injury by falling. The partial paneling contributes to patient comfort and security without restricting movement entirely.



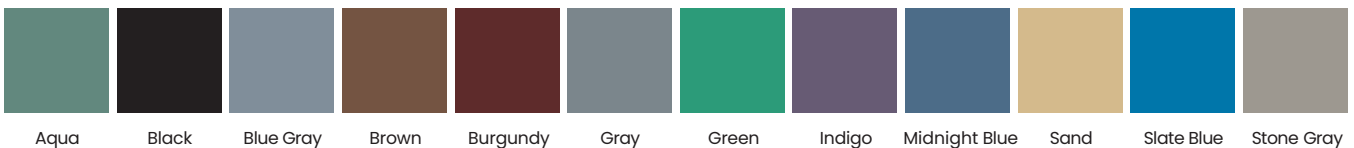
### FEATURES:

- Lifetime warranty.
- 27H x 80L x 36W.
- One piece, rotationally molded design for maximum durability. Made from high impact “no break” polyethylene.
- Molded-in, raised head and foot boards to prevent mattresses from sliding.
- Designed for use with a 36" x 75" mattress. Mattresses sold separately.
- Can be bolted to the floor via concealed pilot holes with hardware of your choice.
- Optional underside ballast doors to add weight with sandbags and secured with tamper-resistant screws. (Do not use loose sand)
- Easy to clean, sanitize, and maintain.
- ISO 22196 tested showing a >99% reduction in bacteria.
- Flame Retardant: passes Cal 133. (Test reports available upon request)
- **Customization:** Custom colors available upon request. Contact Cortech for details.
- Manufactured in the USA to ISO Quality Standards. 

ITEM	COLOR
101AQ	Aqua
101BK	Black
101BG	Blue Gray
101BN	Brown
101BY	Burgundy
101GY	Gray
101GN	Green
101IG	Indigo
101MB	Midnight Blue
101SD	Sand
101SB	Slate Blue
101SG	Stone Gray



Available in



Aqua    Black    Blue Gray    Brown    Burgundy    Gray    Green    Indigo    Midnight Blue    Sand    Slate Blue    Stone Gray

### OVERVIEW

The Solstice™ Safeguard Bed is rotationally molded as a single unit without seams or cracks. It is designed for continuous use in intensive environments. **Manufactured to ISO Quality Standards in the USA.**

**No shelves or storage. Designed for use with 36" x 75" mattress.**

### FABRICATION/MATERIAL

Durable, one piece, rotationally molded design for increased strength. Constructed of high impact polyethylene. No steel or wood components. Flame Retardant (as shown passes Cal 133). Test reports available upon request.

**COLOR** Aqua, Black, Blue Gray, Brown, Burgundy, Gray, Green, Indigo, Midnight Blue, Sand, Slate Blue and Stone Gray. Custom colors available upon request.

**WEIGHT** 150 lbs.

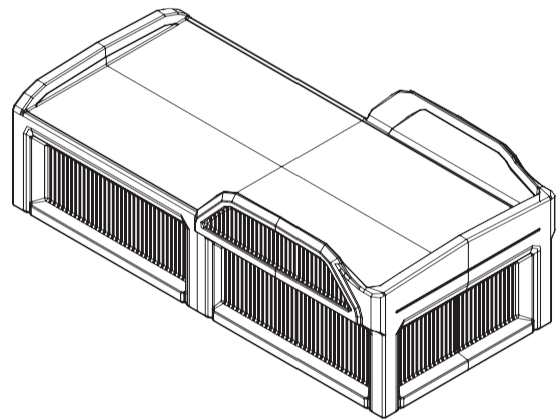
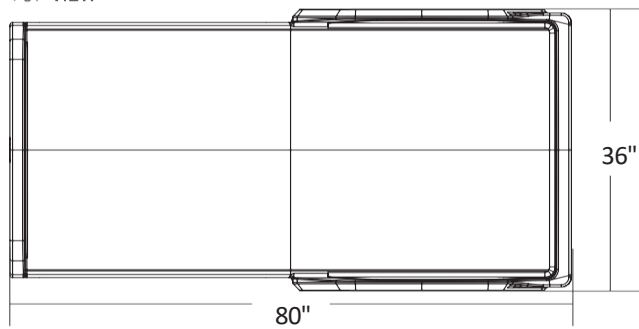
**OPTIONS** Ballast doors. Hardware bit size: T27.

**ASSEMBLY** Bolt to the floor via concealed pilot holes with hardware of your choice.

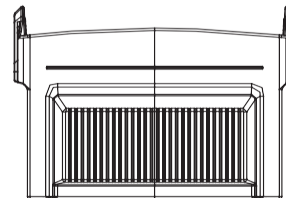
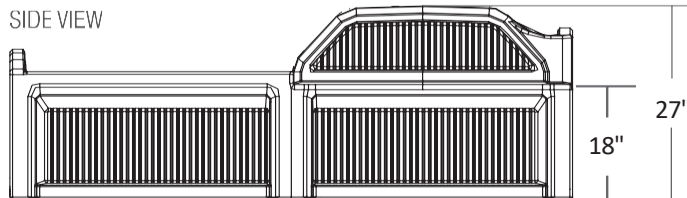
**WARRANTY** Lifetime Warranty.

**MAINTENANCE** Easy to clean, sanitize & maintain.

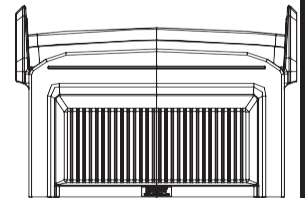
TOP VIEW



SIDE VIEW



BACK VIEW



FRONT VIEW

BOTTOM VIEW

