


The Solstice™ Bed merges unparalleled strength and durability with a more familiar, home-like design to enhance patient comfort and security. Depending on the environment, it can be bolted to the floor or weighted with sand through optional underside ballast doors.



FEATURES:

- Lifetime warranty.
- 21H x 80L x 36W
- One piece, rotationally molded design for maximum durability. Made from high impact “no break” polyethylene.
- Molded-in, raised head and foot boards to prevent mattresses from sliding.
- Designed for use with a 36” x 75” mattress. Mattresses sold separately.
- Can be bolted to the floor via concealed pilot holes with hardware of your choice.
- Optional underside ballast doors to add weight with sandbags and secured with tamper-resistant screws. **(Do not use loose sand)**
- Easy to clean, sanitize, and maintain.
- ISO 22196 tested showing a >99% reduction in bacteria.
- Flame Retardant-passes Cal 133. (Test reports available upon request)
- **Customization:** Custom colors available upon request. Contact Cortech for details.
- Manufactured in the USA to ISO Quality Standards. 

ITEM	COLOR
100AQ	Aqua
100BK	Black
100BG	Blue Gray
100BN	Brown
100BY	Burgundy
100GY	Gray
100GN	Green
100IG	Indigo
100MB	Midnight Blue
100SD	Sand
100SB	Slate Blue
100SG	Stone Gray



Available in



Aqua Black Blue Gray Brown Burgundy Gray Green Indigo Midnight Blue Sand Slate Blue Stone Gray

Our Intense Use Products Contribute to a Safe and Humane Environment.

For Full Specifications Call Toll Free 800-571-0770 / Fax: 630-455-0813 / or Visit www.cortechusa.com

OVERVIEW

The Solstice™ Bed is rotationally molded as a single unit without seams or cracks. It is designed for continuous use in intensive environments. **Manufactured to ISO Quality Standards in the USA.**

No shelves or storage. Designed for use with 36" x 75" mattress.

FABRICATION/MATERIAL

Durable, one piece, rotationally molded design for increased strength. Constructed of high impact polyethylene. No steel or wood components. Flame Retardant (as shown passes Cal 133). Test reports available upon request.

COLOR Aqua, Black, Blue Gray, Brown, Burgundy, Gray, Green, Indigo, Midnight Blue, Sand, Slate Blue and Stone Gray.
Custom colors available upon request.

WEIGHT 125 lbs.

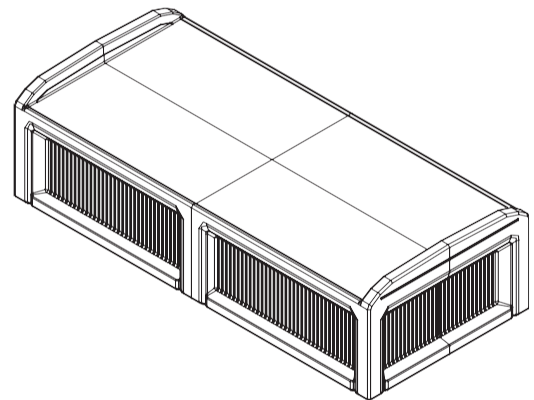
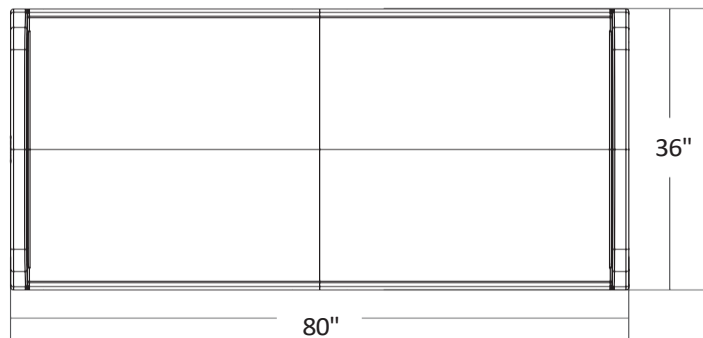
OPTIONS Ballast doors. Hardware bit size: T27.

ASSEMBLY Bolt to the floor via concealed pilot holes with hardware of your choice.

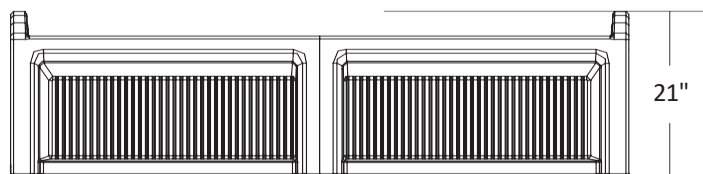
WARRANTY Lifetime Warranty.

MAINTENANCE Easy to clean, sanitize & maintain.

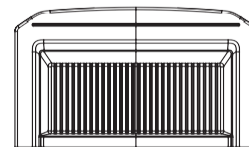
TOP VIEW



SIDE VIEW



FRONT / BACK VIEW



BOTTOM VIEW

