




The Endurance™ Wall Mount Bunk
with optional safety rail

FEATURES:

- Used with Endurance™ Wall Bunk.
- 18H x 81L x 35D.
- Rotationally molded design for maximum durability. Made from high impact "no break" polyethylene.
- Bolt to wall via pilot holes with hardware of your choice.
- Designed for 30" x 75" mattress; A 4.5" thick mattress is recommended.
- Space saving design for double bunk use.
- **Optional safety rail sold separately.**
- Sound dampening, easy to clean, sanitize, and maintain.
- Cycle Testing- 250 lb. load cycled 70,000 times.
- Static Load Testing – 2,000 lbs. for 24 hours.
- Flame Retardant: passes Cal 133.
(Test reports available upon request)
- Passes Flammability UL 94 HB.
- ISO 22196 tested showing a >99% reduction in bacteria.
- **Customization:** Custom colors available upon request. Contact Cortech for details.
- Manufactured in the USA to ISO Quality Standards. 

ITEM	COLOR
7701AQ	Aqua
7701BK	Black
7701BG	Blue Gray
7701BN	Brown
7701BY	Burgundy
7701GY	Gray
7701GN	Green
7701IG	Indigo
7701MB	Midnight Blue
7701SD	Sand
7701SB	Slate Blue
7701SG	Stone Gray



Available in



Aqua Black Blue Gray Brown Burgundy Gray Green Indigo Midnight Blue Sand Slate Blue Stone Gray

OVERVIEW

The Endurance™ Wall Mount Bunk is ideal for continuous, intensive use environments. **Manufactured to ISO Quality Standards in the USA.**

FABRICATION/MATERIAL

A durable rotationally molded design for increased strength. Constructed of high impact polyethylene. No steel or wood components. Flame Retardant (as shown passes Cal 133). Test reports available upon request. 2,000 lb. static load tested.

COLOR Aqua, Black, Blue Gray, Brown, Burgundy, Gray, Green, Indigo, Midnight Blue, Sand, Slate Blue and Stone Gray. Custom colors available upon request.

WEIGHT 150 lbs.

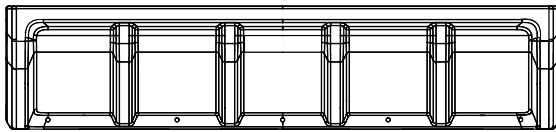
OPTIONS Restraint rings. Hardware bit size: T40.

ASSEMBLY Bolt to the wall via concealed pilot holes with hardware of your choice.

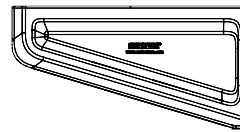
WARRANTY Lifetime Warranty.

MAINTENANCE Easy to clean, sanitize & maintain.

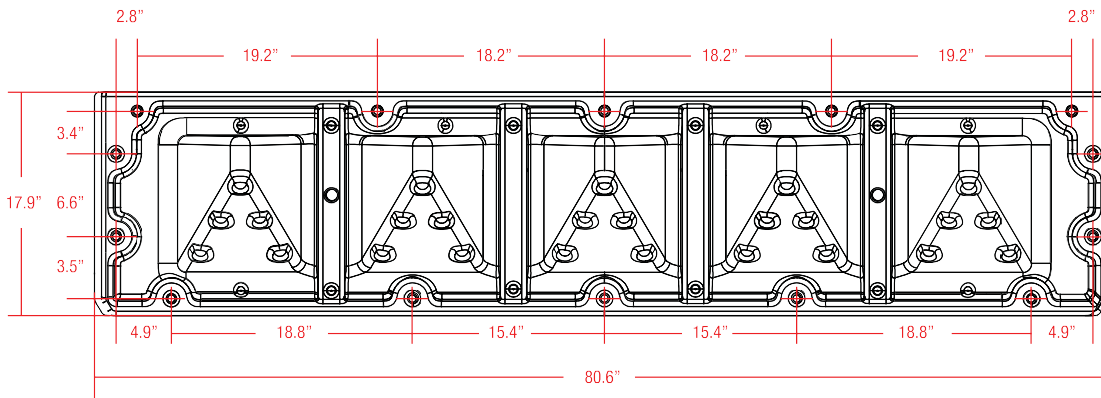
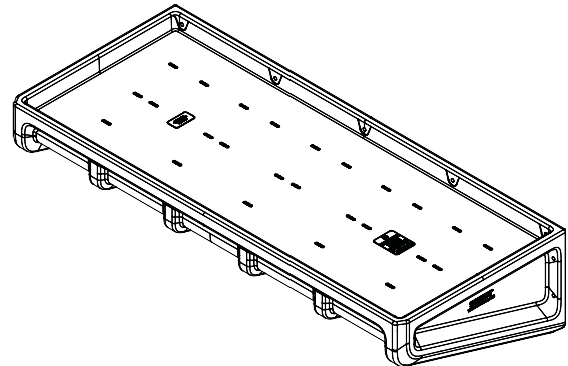
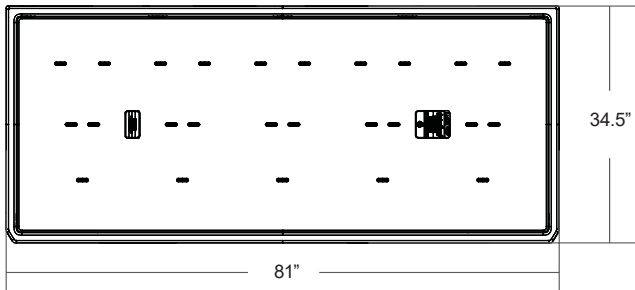
FRONT VIEW



SIDE VIEW



TOP VIEW



OVERVIEW

The Endurance™ Wall Mount Bunk Safety Rail is ideal for continuous, intensive use environments. **Manufactured to ISO Quality Standards in the USA.**

FABRICATION/MATERIAL

A durable rotationally molded design for increased strength. Constructed of high impact polyethylene. No steel or wood components. Flame Retardant (as shown passes Cal 133).

COLOR Aqua, Black, Blue Gray, Brown, Burgundy, Gray, Green, Indigo, Midnight Blue, Sand, Slate Blue and Stone Gray. Custom colors available upon request

WEIGHT 14 lbs

ASSEMBLY Bolt to Wall Bunk with hardware provided

WARRANTY Lifetime Warranty

MAINTENANCE Easy to clean, sanitize & maintain

