


42" Round Table

The Cascade Base Molded Table imitates the flow of water to incorporate natural elements into your interior space.

FEATURES:

- Lifetime warranty.
- 29H x 42W x 42D.
- Tabletop and base are made with a rotationally molded design for maximum durability. Made from high impact "no break" polyethylene.
- **Tabletop size:** 42" diameter.
- Base attaches to tabletop with tamper resistant screws.
- Sound dampening, easy to clean, sanitize, and maintain.
- Can be bolted to floor or add optional ballast door concealed with table top to add weight with sandbags and secured with tamper-resistant screws.
- **(Do not use loose sand)**
- ISO 22196 tested showing a >99% reduction in bacteria.
- Passes Flammability UL 94 HB.
- Flame Retardant: passes Cal 133.
(Test reports available upon request)
- **Customization:** Custom colors available upon request. Contact Cortech for details.
- Manufactured in the USA to ISO Quality Standards. 



Game Top



PLAIN TOP	GAME TOP	SIZE	COLOR
670AQ	670AQGT	42" Round	Aqua
670BK	670BKGT	42" Round	Black
670BG	670BGGT	42" Round	Blue Gray
670BN	670BNGT	42" Round	Brown
670BY	670BYGT	42" Round	Burgundy
670GY	670GYGT	42" Round	Gray
670GN	670GNGT	42" Round	Green
670IG	670IGGT	42" Round	Indigo
670MB	670MBGT	42" Round	Midnight Blue
670SD	670SDGT	42" Round	Sand
670SB	670SBGT	42" Round	Slate Blue
670SG	670SGGT	42" Round	Stone Gray



Available in



Our Intense Use Products Contribute to a Safe and Humane Environment.

For Full Specifications Call Toll Free 800-571-0770 / Fax: 630-455-0813 / or Visit www.cortechusa.com

OVERVIEW

The Cascade Base Molded table is ideal for food service and all recreational applications. **Manufactured to ISO Quality Standards in the USA.**

FABRICATION/MATERIAL

Table top and base are made with durable rotationally molded design for increased strength. Constructed of high impact polyethylene. Flame Retardant (as shown passes Cal 133). Test reports available upon request.

COLOR Aqua, Black, Blue Gray, Brown, Burgundy, Gray, Green, Indigo, Midnight Blue, Sand, Slate Blue and Stone Gray. Custom colors available upon request.

WEIGHT 38 lbs

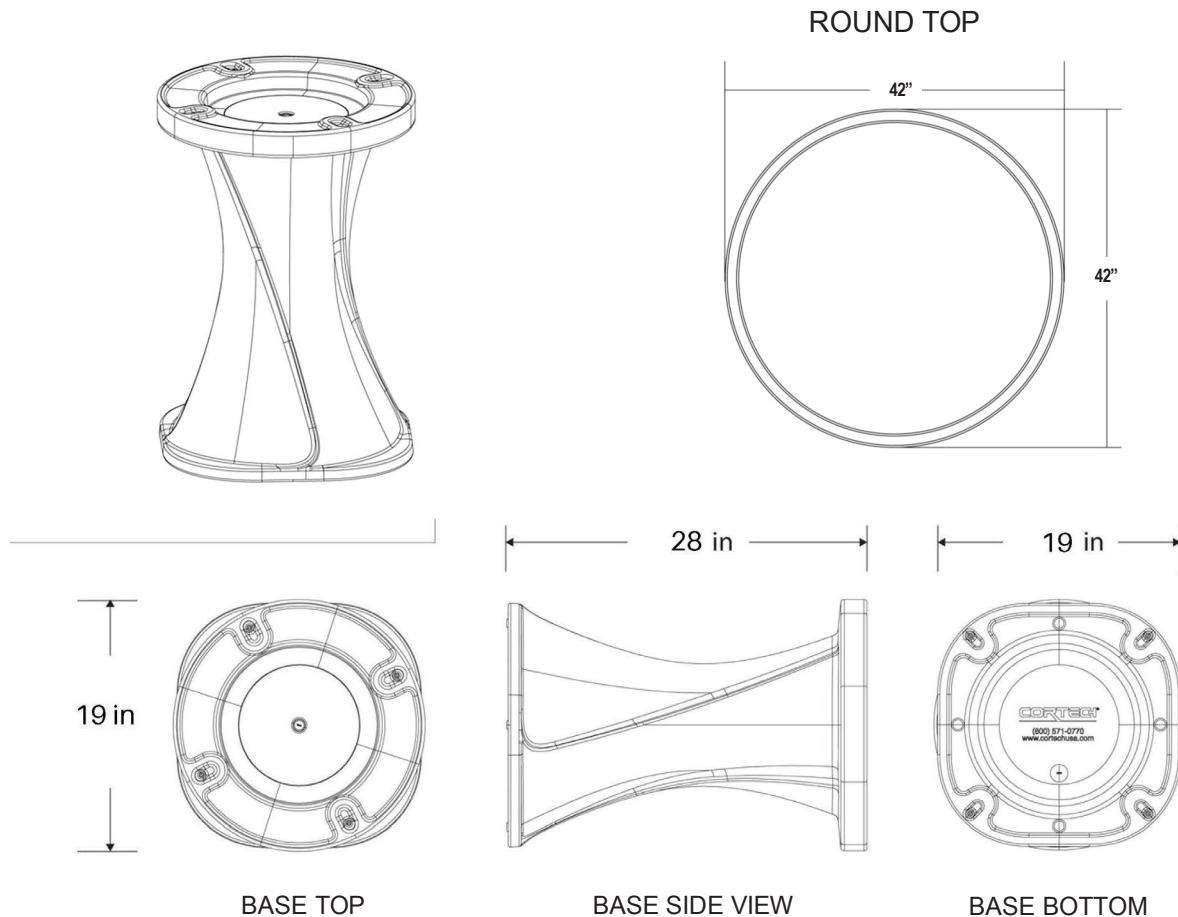
Table Top: 22 lbs / **Base:** 16 lbs

OPTIONS Plain Top and Game Top.

ASSEMBLY The base affixes to the table top with tamper resistant screws. Hardware bit size: T40. Can be bolted to the floor via concealed pilot holes with our exclusive Sabre Mount System.

WARRANTY Lifetime Warranty.

MAINTENANCE Easy to clean, sanitize & maintain.



Warranty valid on manufacturing defects only. Specifications subject to change without notice. Final dimensions & mounting holes subject to +/- 1.25% variance. Cortech discourages pre-drilling pilot holes until product is on site and ready for installation.

2025 Cortech USA. All Rights Reserved.